

INDEX

3

SSQ11C • SSQ11P

4

SSQ15D • SSQ22

5

SSQ ECOQUAD

8

ATTACHMENTS

11

WHEELS

13

WARRANTY CONDITIONS



SSQ11 COUNTRY

S S Q 1 1 0 0 0 C

Standard set-up



Capacity (kW/Hp): 8.7/11.7
 Start up: electric
 Displacement cm³/ number of cylinders: 389/1
 Revolutions per minute (rpm): 3600
 Adjusted amount of revolutions (rpm): 3600
 Cooling: air cooled
 Fuel/ fuel tank capacity(l): petrol (Euro95)/ 6,1
 Drive system: Hydrostatic 4WD wheel motors
 Speed (km/h): 0-6 (proportional)
 Traction force (Kg): 558
 Hydraulic drive system (l/bar): 21,6/200
 Hydraulic working pressure (l/bar): 21,6/200
 Hydraulic tank capacity (l): 44
 Standard tyres: 4.00x10 Tractor
 Electrical system (V): 12
 Battery capacity(Ah): 45
 Braking system: hydrostatic with 4 hydraulic wheels motor
 Steering: Skid Steering
 Hydraulic lifting capacity (Kg): 600
 Loading capacity (Kg): 350 (with counterweights)
 Dimensions (L mm x W mm x H mm): 1525x740x1258
 Weight (Kg): 575

Tyres can be changed to suit your individual requiments.



SSQ11 PLUS

S S Q 1 1 0 0 0 P

Standard set-up



Type of Engine: HONDA GX390
 Capacity (kW/Hp): 8.7/11.7
 Start up: electric
 Displacement cm³/ number of cylinders: 389/1
 Revolutions per minute (rpm): 3600
 Adjusted amount of revolutions (rpm): 3600
 Cooling: air cooled
 Fuel/ fuel tank capacity(l): petrol (Euro95)/ 6,1
 Drive system: Hydrostatic 4WD wheel motors
 Speed (km/h): 0-6 (proportional)
 Traction force (Kg): 558
 Hydraulic drive system (l/bar): 21,6/200
 Hydraulic working pressure (l/bar): 21,6/200
 Hydraulic tank capacity (l): 44
 Standard tyres: 18x8.50-10 Garden
 Electrical system (V): 12
 Battery capacity(Ah): 45
 Braking system: hydrostatic with 4 hydraulic wheels motor
 Steering: Skid Steering
 Hydraulic lifting capacity (Kg): 600
 Loading capacity (Kg): 350 (with counterweights)
 Dimensions (L mm x W mm x H mm): 1525x910x1258
 Minimum Width with Narrow Access Wheels 740mm
 (sold sepratly or changed with order)
 Weight (Kg): 625
 Throttle Lever: Standard
 Lateral Protection: Standard
 Hour Counter: Standard
 Integrated counterweights 50 Kg: Standard

Tyres can be changed to suit your individual requiments.





SSQ15 D

S S Q 1 5 0 0 0 1

Standard set-up



* Model available also with remote control.



Type of Engine: KUBOTA Z602
 Capacity (kW/Hp): 10.9/14.8
 Start up: electric
 Displacement cm³/ number of cylinders: 599/2
 Revolutions per minute (rpm): 3200
 Adjusted amount of revolutions (rpm): 3200
 Cooling: liquid
 Fuel/ fuel tank capacity(l): diesel/14
 Drive system: Hydrostatic 4WD wheel motors
 Speed (km/h): 0-6 (proportional)
 Traction force (Kg): 558
 Hydraulic drive system (l/bar): 25,6/200
 Hydraulic working pressure (l/bar): 25,6/200
 Hydraulic tank capacity (l): 25
 Standard tyres: 23x8.50-12 Skid
 Electrical system (V): 12
 Battery capacity(Ah): 45
 Braking system: hydrostatic with 4 hydraulic wheels motor
 Steering: Skid Steering
 Hydraulic lifting capacity (Kg): 600
 Loading capacity (Kg): 350 (with counterweights)
 Dimensions (L mm x W mm x H mm): 1525x1100x1258
 Minimum Width with Narrow Access Wheels 850mm
 (sold sepratlly or changed on order)
 Weight (Kg): 684

Tyres can be changed to suit your individual requirements.

SSQ22

S S Q 2 2 0 0 0 1

Standard set-up



Type of Engine: HONDA HGX690
 Capacity (kW/Hp): 16.5/22.1
 Start up: electric
 Displacement cm³/ number of cylinders: 688/2
 Revolutions per minute (rpm): 3600
 Adjusted amount of revolutions (rpm): 3600
 Cooling: air cooled
 Fuel/ fuel tank capacity(l): petrol (Euro95)/ 9
 Drive system: Hydrostatic 4WD wheel motors
 Speed (km/h): 0-6 (proportional)
 Traction force (Kg): 558
 Hydraulic drive system (l/bar): 28,8/200
 Hydraulic working pressure (l/bar): 28,8/200
 Hydraulic tank capacity (l): 44
 Standard tyres: 22x11.00-8 All Trac
 Electrical system (V): 12
 Battery capacity(Ah): 45
 Braking system: hydrostatic with 4 hydraulic wheels motor
 Steering: Skid Steering
 Hydraulic lifting capacity (Kg): 600
 Loading capacity (Kg): 350 (with counterweights)
 Dimensions (L mm x W mm x H mm): 1525x960x1258
 Minimum Width with Narrow Access Wheels 850mm
 (sold sepratlly or changed on order)
 Weight (Kg): 630

Tyres can be changed to suit your individual requirements.



SSQ ECOQUAD

S S Q 1 1 0 0 0 2

Standard set-up



Type of Engine: ACM
Revolutions per minute: 2200
Battery Type: Traction battery
Voltage (V): 36
Battery capacity (Ah/kWh): 240 / 8,6
Drive system: Hydrostatic 4WD wheel motors
Traction force (Kg): 558
Hydraulic drive system (l/bar): 18/200
Hydraulic working pressure (l/bar): 18/200
Hydraulic tank capacity (l): 27
Standard tyres: 4.00-10 Skid (Forklift tyres)
Braking system: Hydrostatic with 4 hydraulic wheels motor
Steering: Skid Steering
Hydraulic lifting capacity (Kg): 600
Loading capacity (Kg): 400 (with counterweights)
Dimensions (L mm x W mm x H mm): 1525x890x1258
Minimum Width with Narrow Access Wheels 740mm
(sold sepraty or changed on order)
Weight (Kg): 850

*Analogue charger
220V (code 48161018)

*Analogue charger
380V (code 48161019)

*Electronic charger 220V
with automatic voltage selector
(code 48161020)

* Charger Sold Sepraty :



Tyres are an important option depending on your individual requiments the SSQ Skidsteer range can be adapted to suit your operational needs.

Take a look at our wheel and tyre options on pages 11 & 12.

Please speak to a member of our sales team on **0161 8501011** or email **info@castloaders.co.uk** to discuss your requiments.



OPTIONS

4	8	1	6	1	0	1	1	SSQ11C	SSQ15	SSQECO	Integrated counterweights 50 Kg
								SSQ22			
4	8	1	6	1	0	1	2	SSQ11C	SSQ15	SSQECO	Side counterweights 30 Kg
								SSQ11P	SSQ22		
4	8	1	6	1	0	1	3	SSQ11C	SSQ15	SSQECO	Hour counter
								SSQ22			
4	8	1	6	1	0	1	5	SSQ11C	SSQ15	SSQECO	Led working lights (2 on the front)
								SSQ11P	SSQ22		
4	8	1	6	1	0	1	6	SSQ11C		SSQECO	Lateral protection
4	8	1	6	1	0	1	7	SSQ11C	SSQ15	SSQECO	Boom outlet drainage
								SSQ11P	SSQ22		
4	8	1	6	1	0	2	1	SSQ11C	SSQ15	SSQECO	Attachment coupling plate (to be welded)
								SSQ11P	SSQ22		

DIMENSIONS

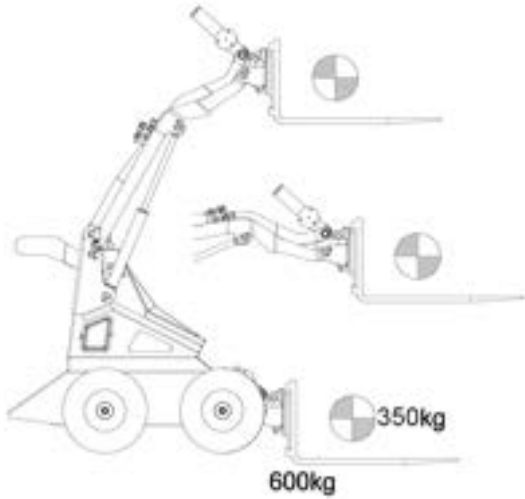
SSQ11C/P	ECOQUAD	SSQ15D	SSQ22

The dimensions refer to machines with standard wheels.
Data obtained with counterweights.



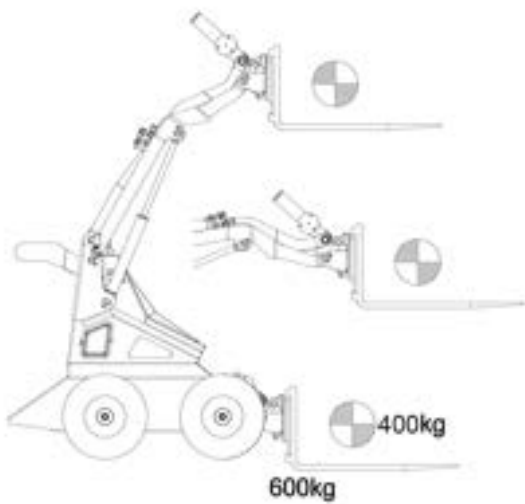
SSQ LOADING DIAGRAMM

SSQ 11C/11P - 15D - 22



350Kg with counterweights

SSQ ECOQUAD



400Kg with counterweights

ATTACHMENTS

Please note that our Attachment List is always growing, if you dont see an attachment you require or need something bespoke please let us know and we will do our best to help source one.

Call: 0161 8501011

Email: info@castloaders.co.uk



ATTACHMENTS

Code |

Code |

A 4 8 1 6 0 0 1

SSQ11C SSQ15
SSQ11P SSQ22
SSQECCO

SAND BUCKET
cm 74



A 4 8 1 6 0 0 6

SSQ11C SSQ15
SSQ11P SSQ22
SSQECCO

SAND BUCKET
cm 85



A 4 8 1 6 1 0 2

SSQ11C SSQ15
SSQ11P SSQ22
SSQECCO

SAND BUCKET
cm 100



A 4 8 1 6 1 1 5

SSQ11C SSQ15
SSQ11P SSQ22
SSQECCO

SAND BUCKET
cm 120



A 4 8 1 6 0 0 2

SSQ11C SSQ15
SSQ11P SSQ22
SSQECCO

FORGED TEETH FOR SAND BUCKET
5 pcs. for cm 100
6 pcs. for cm 120
unit price



A 4 8 1 6 0 0 3

SSQ11C SSQ15
SSQ11P SSQ22
SSQECCO

HIGH VOLUME BUCKET
cm 74 - volume lt 268



A 4 8 1 6 1 1 4

SSQ11C SSQ15
SSQ11P SSQ22
SSQECCO

HIGH VOLUME BUCKET
cm 85 - volume lt 309



A 4 8 1 6 1 1 6

SSQ11C SSQ15
SSQ11P SSQ22
SSQECCO

HIGH VOLUME BUCKET
cm 100 - volume lt 365



A 4 8 1 6 0 5 8

SSQ11C SSQ15
SSQ11P SSQ22
SSQECCO

GRAPPLE BUCKET
cm 74



A 4 8 1 6 0 5 9

SSQ11C SSQ15
SSQ11P SSQ22
SSQECCO

GRAPPLE BUCKET
cm 85



A 4 8 1 6 1 5 9

SSQ11C SSQ15
SSQ11P SSQ22
SSQECCO

GRAPPLE BUCKET
cm 100



A 4 8 1 6 0 1 2

SSQ11C SSQ15
SSQ11P SSQ22
SSQECCO

SILAGE FORK
cm 74



A 4 8 1 6 1 6 0

SSQ11C SSQ15
SSQ11P SSQ22
SSQECCO

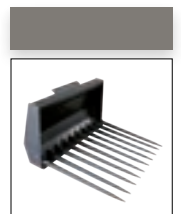
SILAGE FORK
cm 85



A 4 8 1 6 0 1 3

SSQ11C SSQ15
SSQ11P SSQ22
SSQECCO

MANURE FORK
cm 74





ATTACHMENTS

Code |

Code |

A 4 8 1 6 0 0 7

SSQ11C SSQ15
SSQ11P SSQ22
SSQECO

PALLET FORK
Kg 69 - P cm 80



A 4 8 1 6 0 4 8

SSQ11C SSQ15
SSQ11P SSQ22
SSQECO

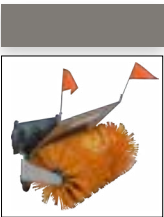
CHISEL DRILL



A 4 8 1 6 1 1 2

SSQ11C SSQ15
SSQ11P SSQ22
SSQECO

FLOATING ROTARY BROOM
cm 80, adjustable



A 4 8 1 6 0 6 2

SSQ11C SSQ15
SSQ11P SSQ22
SSQECO

AUGER T05
Hydraulic auger head T5
30 l/min - 250 bar



A 4 8 1 6 1 1 3

SSQ11C SSQ15
SSQ11P SSQ22
SSQECO

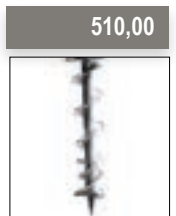
FLOATING ROTARY BROOM
cm 100, adjustable



A 4 8 1 6 0 6 4

SSQ11C SSQ15
SSQ11P SSQ22
SSQECO

DRILLS FOR CLAY/SANDY SOILS
Ø 100 mm - lenght 1000 mm



A 4 8 1 6 0 4 6

SSQ11C SSQ15
SSQ11P SSQ22
SSQECO

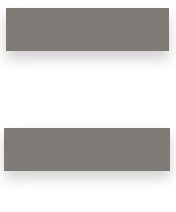
HYDRAULIC HAMMER
Kg 60 (engine)



A 4 8 1 6 0 6 5

SSQ11C SSQ15
SSQ11P SSQ22
SSQECO

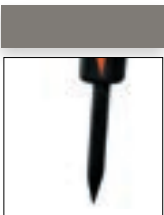
DRILLS FOR CLAY/SANDY SOILS
Ø 150 mm - lenght 1000 mm



A 4 8 1 6 0 4 7

SSQ11C SSQ15
SSQ11P SSQ22
SSQECO

ROUND DRILL



A 4 8 1 6 0 6 6

SSQ11C SSQ15
SSQ11P SSQ22
SSQECO

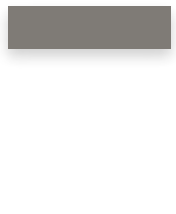
DRILLS FOR CLAY/SANDY SOILS
Ø 200 mm - lenght 1000 mm



A 4 8 1 6 0 6 7

SSQ11C SSQ15
SSQ11P SSQ22
SSQECO

DRILLS FOR CLAY/SANDY SOILS
Ø 250 mm - lenght 1000 mm



A 4 8 1 6 0 6 8

SSQ11C SSQ15
SSQ11P SSQ22
SSQECO

DRILLS FOR CLAY/SANDY SOILS
Ø 300 mm - lenght 1000 mm





WHEEL & TYRE OPTIONS

Code |

Code |

* prices are intended as difference from standard tyres to:

4	8	1	2	1	0	1	2	SSQ11C		
INDUSTRIAL 4.00 - 10										
4	8	1	2	1	0	4	7	SSQ11P		
INDUSTRIAL 4.00 - 10										
4	8	1	2	1	0	1	9	SSQ11C		
INDUSTRIAL 5.00 - 10										

4	8	1	2	1	0	4	8	SSQ11P		
INDUSTRIAL 5.00 - 10										
4	8	1	2	1	0	2	5	SSQ15		
INDUSTRIAL 5.00 - 10										
4	8	1	2	1	0	4	9	SSQ22		
INDUSTRIAL 5.00 - 10										

4	8	1	2	1	0	2	9	SSQECO		
FORKLIFT 5.00 - 8										
4	8	1	2	1	0	3	3	SSQECO		
FORKLIFT Non-Marking 4.00 - 8										
4	8	1	2	1	0	3	1	SSQ11P		
FORKLIFT Non-Marking 4.00 - 8										

4	8	1	2	1	0	3	2	SSQ15		
FORKLIFT Non-Marking 4.00 - 8										
4	8	1	2	1	0	5	0	SSQ22		
FORKLIFT Non-Marking 4.00 - 8										

4	8	1	2	1	0	1	4	SSQ11C		
TRACTOR 23X8.50-12										
4	8	1	2	1	0	5	3	SSQ11P		
TRACTOR 23X8.50-12										
4	8	1	2	1	0	5	4	SSQ15		
TRACTOR 23X8.50-12										

4	8	1	2	1	0	2	0	SSQ22		
TRACTOR 23X8.50-12										

4	8	1	2	1	0	1	1	SSQ11C		
TRACTOR 5.00-10										
4	8	1	2	1	0	5	1	SSQ11P		
TRACTOR 5.00-10										
4	8	1	2	1	0	2	6	SSQ15		
TRACTOR 5.00-10										

4	8	1	2	1	0	5	2	SSQ22		
TRACTOR 5.00-10										

4	8	1	2	1	0	4	5	SSQECO		
TRACTOR 5.00-10										

4	8	1	2	1	0	1	5	SSQ11C		
SKID 23X8.50-12										
4	8	1	2	1	0	3	4	SSQ11P		
SKID 23X8.50-12										
4	8	1	2	1	0	2	2	SSQ22		
SKID 23X8.50-12										

4	8	1	2	1	0	3	7	SSQ11C		
SKID 18X8.50-10										
4	8	1	2	1	0	5	8	SSQ11P		
SKID 18X8.50-10										
4	8	1	2	1	0	3	8	SSQ15		
SKID 18X8.50-10										
4	8	1	2	1	0	3	9	SSQ22		
SKID 18X8.50-10										
4	8	1	2	1	0	4	0	SSQECO		
SKID 18X8.50-10										

4	8	1	2	1	0	1	3	SSQ11C		
ALL TRAC 22X11.00-8										
4	8	1	2	1	0	3	5	SSQ11P		
ALL TRAC 22X11.00-8										
4	8	1	2	1	0	3	6	SSQ15		
ALL TRAC 22X11.00-8										

4	8	1	2	1	0	3	6	SSQ15		
ALL TRAC 22X11.00-8										

4	8	1	2	1	0	1	6	SSQ11C		
GARDEN 23X8.50-12										
4	8	1	2	1	0	5	6	SSQ11P		
GARDEN 23X8.50-12										
4	8	1	2	1	0	2	3	SSQ15		
GARDEN 23X8.50-12										

4	8	1	2	1	0	5	7	SSQ22		
GARDEN 23X8.50-12										

4	8	1	2	1	0	2	7	SSQ11C		
GARDEN 18X8.50-10										
4	8	1	2	1	0	2	8	SSQ11P		
GARDEN 18X8.50-10										

4	8	1	2	1	0	2	4	SSQ15		
GARDEN 18X8.50-10										

4	8	1	2	1	0	5	5	SSQ22		
GARDEN 18X8.50-10										

4	8	1	2	1	0	4	2	SSQECO		
GARDEN 18X8.50-10										



WHEEL & TYRE OPTIONS CHART

MOD.	INDUS. -> L mm	TRACTOR -> L mm	SKID -> L mm	ALL TRAC -> L mm	GARDEN -> L mm	FORKLIFT -> L mm
SSQ11C	4.00-10 -> 740 5.00-10 -> 820	23x8.50-12 -> 960 5.00-10 -> 820	23x8.50-12 -> 960 18x8.50-10 -> 910	22x11.00-8 -> 1100	23x8.50-12 -> 960 18x8.50-10 -> 910	4.00-8 -> 960
SSQ11P	4.00-10 -> 740 5.00-10 -> 820	23x8.50-12 -> 960 5.00-10 -> 820	23x8.50-12 -> 960	22x11.00-8 -> 1100	23x8.50-12 -> 960 18x8.50-10 -> 910	4.00-8 -> 960
SSQ15	5.00-10 -> 850	23x8.50-12 -> 960 5.00-10 -> 850	18x8.50-10 -> 960 23x8.50-12 -> 960	22x11.00-8 -> 1100	23x10,50-12 -> 1050 23x8.50-12 -> 960 18x8.50-10 -> 910	4.00-8 -> 960
SSQ22	5.00-10 -> 850	23x8.50-12 -> 960 5.00-10 -> 850	23x8.50-12 -> 960 18x8.50-10 -> 970	22x11.00-8 -> 1100	23x10,50-12 -> 1050 23x8.50-12 -> 960 18x8.50-10 -> 970	4.00-8 -> 960
SSQECO		5.00-10 -> 820	18x8.50-10 -> 910		18x8.50-10 -> 910	4.00-8 -> 740